

RVU6553

LAUNDRY WASHBOARD SINK

RUVATI[®]
SPECIFICATION SHEET

MATERIAL

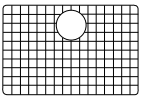
- True 16 Gauge Thickness
- Premium T304 Grade Stainless Steel
- 18/10 Chromium/Nickel Content
- Commercial Brushed Finish

FEATURES

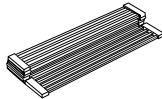
- Heavy duty sound guard padding and undercoating
- Slanted bottom with elegant drain grooves for easy draining
- Dual-Tier Ledge for Accessories



IN THE BOX



Rinse Grid
[RVA68023]



Folding Rack
[RVA1395]



Cut-out
Template



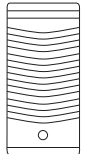
Strainer
[RVA1022ST]



Drain Cover
[RVA1035]



Mounting Clips
[RVA11042]



Washboard
[RVA1253MG]

NOMINAL DIMENSIONS

- Exterior:** 25" (wide) x 22" (front-to-back)
- Interior Bowl:** 23" (wide) x 15-7/16" (front-to-back)
- Bowl Depth:** 12"
- Minimum Cabinet Size:** 27" wide
- Drain Hole Size:** 3-1/2"

Installation Type:

Topmount

Inside Corners:

Zero Radius

Drain Location:

Rear Center

RUVATI USA

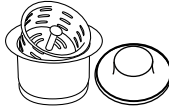
www.ruvati.com

Phone: 1.855.478.8284
Email: support@ruvati.com

OPTIONAL ACCESSORIES (SOLD SEPARATELY)



Deep Basket
Disposal Flange
[RVA1049ST]

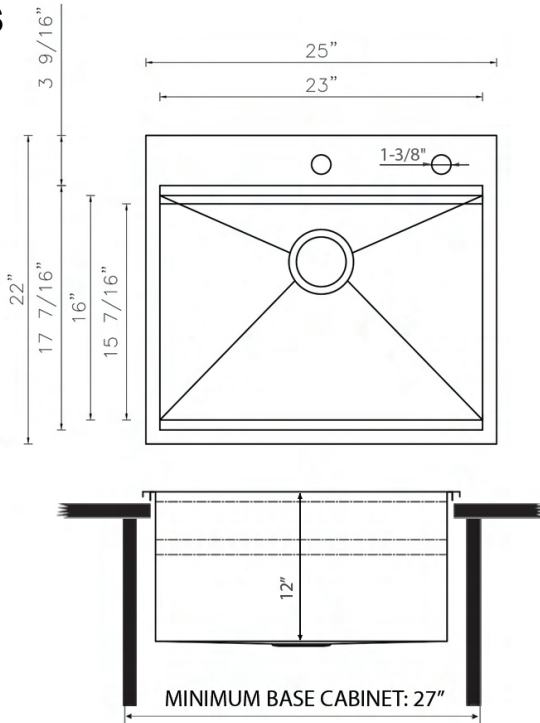


Deep Basket
Disposal Flange/Stopper
[RVA1052ST]



Deep Basket Strainer
and Stopper
[RVA1027ST]

DIMENSIONS



cUPC certified by IAPMO
to meet US and Canada
plumbing standards.



**SCAN TO REGISTER
YOUR WARRANTY**

or visit
ruvati.com/register

RUVATI USA
www.ruvati.com

Phone: 1.855.478.8284
Email: support@ruvati.com