

RVU6022

TOPMOUNT LAUNDRY SINK

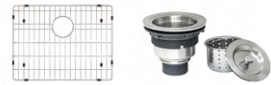
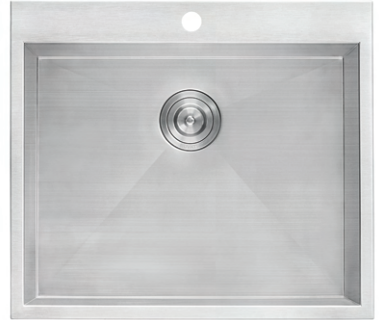
RUVATI[®]
SPECIFICATION SHEET

MATERIAL

- True 16 Gauge Thickness
- Premium T304 Grade Stainless Steel
- 18/10 Chromium/Nickel Content
- Commercial Brushed Finish

FEATURES

- Heavy duty sound guard padding and undercoating
- Slanted bottom with elegant drain grooves for easy draining
- Extra deep sink for utility room



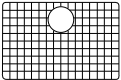
IN THE BOX



Basket Strainer
[RVA1025]



Mounting Clips
[RVA11042]



Rinse Grid
[RVA66022]



Cut-out
Template

NOMINAL DIMENSIONS

- Exterior:** 22" (wide) x 22" (front-to-back)
- Interior Bowl:** 20" (wide) x 18" (front-to-back)
- Bowl Depth:** 12"
- Minimum Cabinet Size:** 24" wide
- Drain Hole Size:** 3½"

Installation Type:

Topmount

Inside Corners:

Zero Radius

Drain Location:

Rear Center

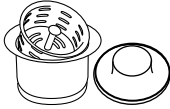
RUVATI USA
www.ruvati.com

Phone: 1.855.478.8284
Email: support@ruvati.com

OPTIONAL ACCESSORIES (SOLD SEPARATELY)



Deep Basket
Disposal Flange
[RVA1049ST]



Deep Basket
Disposal Flange/Stopper
[RVA1052ST]

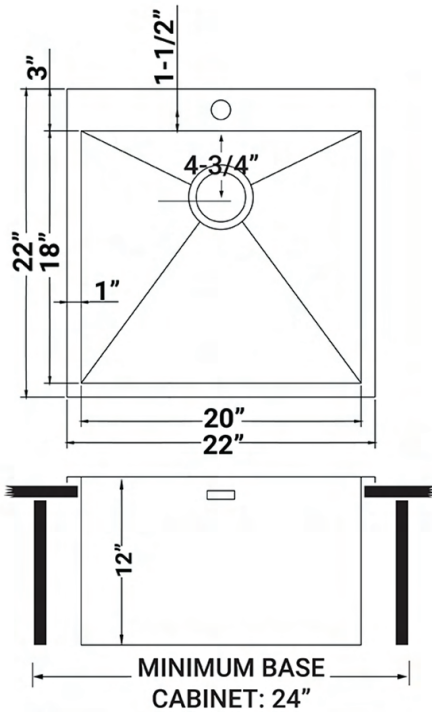


Drain Cover
[RVA1035]



Deep Basket Strainer
and Stopper
[RVA1027ST]

DIMENSIONS



cUPC certified by IAPMO
to meet US and Canada
plumbing standards.



SCAN TO REGISTER
YOUR WARRANTY

or visit
ruvati.com/register

RUVATI USA

www.ruvati.com

Phone: 1.855.478.8284
Email: support@ruvati.com