

RVQ6221

OUTDOOR ICE CHEST SINK

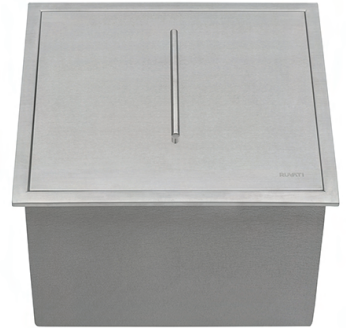
RUVATI[®]
SPECIFICATION SHEET

MATERIAL

True 16 Gauge Thickness
Marine Grade T-316 Stainless Steel
18/10 Chromium/Nickel Content
Commercial Brushed Finish

FEATURES

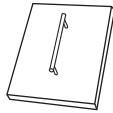
- Heavy duty sound guard padding and undercoating
- Slanted bottom with elegant drain grooves for easy draining
- Triple Layer Insulation keeps your ice frozen and your drinks cold



IN THE BOX



Basket Strainer
[RVA1022]



Lid
[RVA11041]



Mounting Clips
[RVA11042]



Cut-out
Template

NOMINAL DIMENSIONS

Exterior: 21" (wide) x 20" (front-to-back)
Interior Bowl: 17-5/8" (wide) x 16-5/8" (front-to-back)
Bowl Depth: 12"
Minimum Cabinet Size: 24" wide
Drain Hole Size: 3-1/2"

Installation Type:
Topmount
Inside Corners:
Zero Radius
Drain Location:
Center

RUVATI USA
www.ruvati.com

Phone: 1.855.478.8284
Email: support@ruvati.com

OPTIONAL ACCESSORIES (SOLD SEPARATELY)



Deep Basket
Disposal Flange
[RVA1049ST]



Garbage
Disposal Flange
[RVA1041ST]



Deep Basket Strainer
and Stopper
[RVA1027ST]

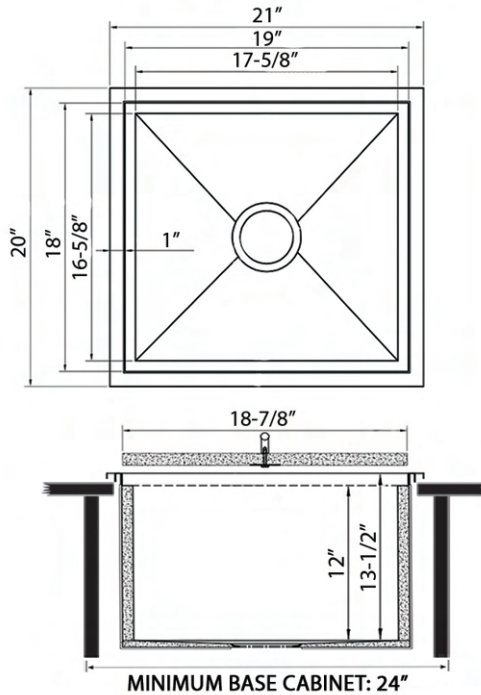


Deep Basket
Disposal Flange/Stopper
[RVA1052ST]



Drain Cover
[RVA1035]

DIMENSIONS



cUPC certified by IAPMO
to meet US and Canada
plumbing standards.



**SCAN TO REGISTER
YOUR WARRANTY**

or visit
ruvati.com/register

RUVATI USA
www.ruvati.com

Phone: 1.855.478.8284
Email: support@ruvati.com