

# RVM5173

TOPMOUNT KITCHEN SINK

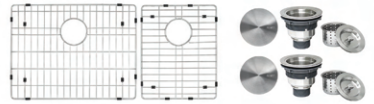
**RUVATI**<sup>®</sup>  
SPECIFICATION SHEET

## MATERIAL

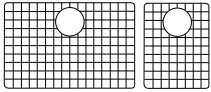
True 16 Gauge Thickness  
Premium T304 Grade Stainless Steel  
18/10 Chromium/Nickel Content  
Commercial Brushed Finish

## FEATURES

- Heavy duty sound guard padding and undercoating
- Curved bowl and rounded bottom for perfect drainage
- Large deep bowl



## IN THE BOX



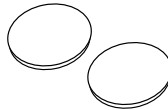
Rinse Grid  
[RVA65173]



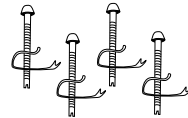
Cut-out  
Template



Basket Strainer  
[RVA1025] x 2



Drain Cover  
[RVA1035] x 2



Mounting Clips  
[RVA11044]

## NOMINAL DIMENSIONS

Exterior: 33" (wide) x 22" (front-to-back)  
Interior Bowl: 18½" x 15¾" (left) x 10" x 15¾" (right)  
Bowl Depth: 9" (left), 7" (right)  
Minimum Cabinet Size: 36" wide  
Drain Hole Size: 3½"

Installation Type:  
Topmount  
Inside Corners:  
Rounded  
Drain Location:  
Rear Center

**RUVATI USA**  
www.ruvati.com

Phone: 1.855.478.8284  
Email: support@ruvati.com

# OPTIONAL ACCESSORIES (SOLD SEPARATELY)



Deep Basket  
Disposal Flange  
[RVA1049ST]



Deep Basket  
Disposal Flange/Stopper  
[RVA1052ST]

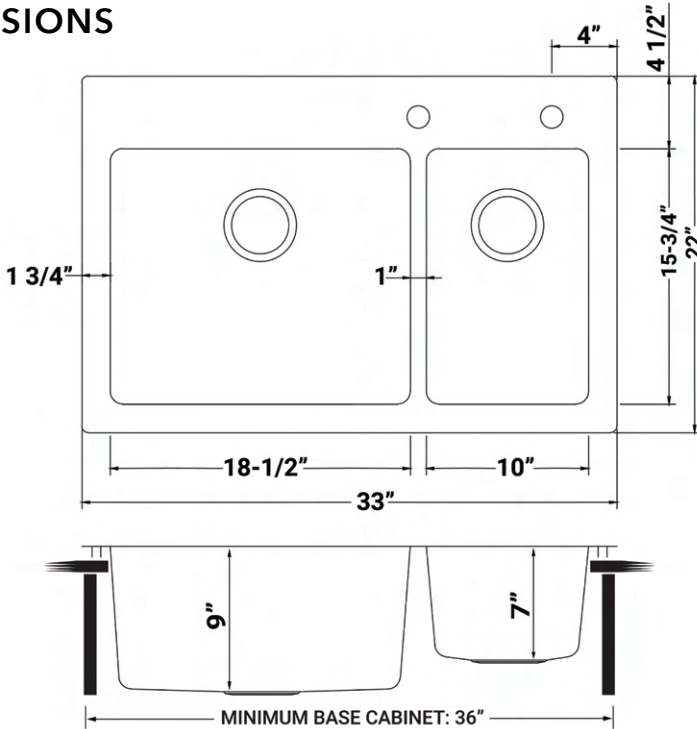


Garbage Disposal  
Flange/Stopper  
[RVA1042ST]



Deep Basket Strainer  
and Stopper  
[RVA1027ST]

## DIMENSIONS



cUPC certified by IAPMO  
to meet US and Canada  
plumbing standards.



**SCAN TO REGISTER  
YOUR WARRANTY**

or visit  
[ruvati.com/register](http://ruvati.com/register)

# RUVATI USA

[www.ruvati.com](http://www.ruvati.com)

Phone: 1.855.478.8284  
Email: [support@ruvati.com](mailto:support@ruvati.com)