

RVM4505

UNDERMOUNT KITCHEN SINK

RUVATI®

SPECIFICATION SHEET

MATERIAL

True 16 Gauge Thickness
Premium T304 Grade Stainless Steel
18/10 Chromium/Nickel Content
Commercial Brushed Finish



FEATURES

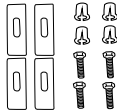
- Heavy duty sound guard padding and undercoating
- Curved bowl and rounded bottom for perfect drainage
- Large deep bowl



IN THE BOX



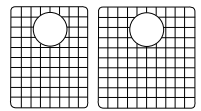
Basket Strainer
[RVA1025] x 2



Mounting Clips
[RVA11031]



Cut-out
Template



Rinse Grid
[RVA64500]

NOMINAL DIMENSIONS

Exterior: 29-1/2" (wide) x 20-5/8" (front-to-back)
Interior Bowl: 10-5/8" x 16" (left), 15-7/8" x 18-5/8" (right)
Bowl Depth: 7" (left), 9" (right)
Minimum Cabinet Size: 33" wide
Drain Hole Size: 3 1/2"

Installation Type:
Undermount
Inside Corners:
Curved
Drain Location:
Rear Center

OPTIONAL ACCESSORIES (SOLD SEPARATELY)



Deep Basket
Disposal Flange
[RVA1049ST]



Deep Basket
Disposal Flange/Stopper
[RVA1052ST]



Garbage Disposal
Flange/Stopper
[RVA1042ST]

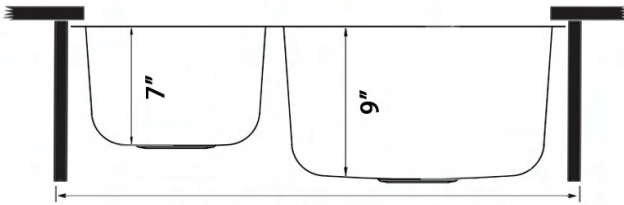
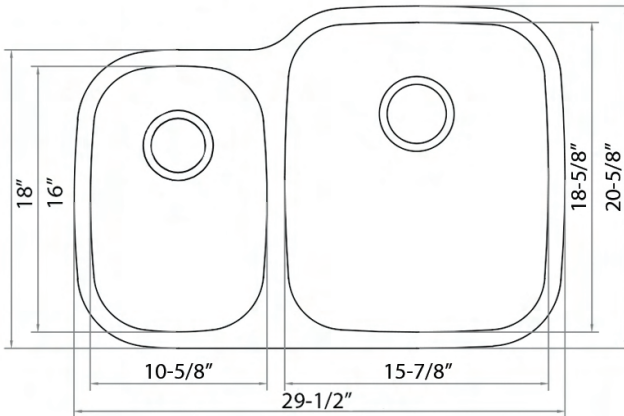


Deep Basket Strainer
and Stopper
[RVA1027ST]



Drain Cover
[RVA1035]

DIMENSIONS



MINIMUM BASE CABINET: 33"



cUPC certified by IAPMO
to meet US and Canada
plumbing standards.



**SCAN TO REGISTER
YOUR WARRANTY**

or visit
ruvati.com/register

RUVATI USA
www.ruvati.com

Phone: 1.855.478.8284
Email: support@ruvati.com