

# RVL4018

FIRECLAY FARMHOUSE SINK

**RUVATI**<sup>®</sup>  
SPECIFICATION SHEET

## MATERIAL

- True Italian Fireclay - Made in ITALY.
- 1-inch thick solid fireclay.
- Fired at 2900F for extreme strength.

## FEATURES

- Large deep bowl.
- Rounded inside corners.
- Glossy enamel surface resistant to stains and scratches.



## COLOR OPTIONS

**MBK:** Matte Black

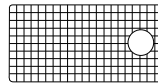
**RBW:** Black and White

**GRG:** Matte Black and Brushed Gold

## IN THE BOX



Basket Strainer  
[RVA1039ST]



Rinse Grid  
[RVA62018]

## NOMINAL DIMENSIONS

Exterior: 30" (wide) x 18" (front-to-back)  
Interior Bowl: 28" (wide) x 16" (front-to-back)  
Bowl Depth: 9"  
Minimum Cabinet Size: 33" wide  
Drain Hole Size: 3½"

Installation Type:  
Farmhouse  
Inside Corners:  
Rounded  
Drain Location:  
Offset

**RUVATI USA**

www.ruvati.com

Phone: 1.855.478.8284  
Email: support@ruvati.com

# OPTIONAL ACCESSORIES (SOLD SEPARATELY)



Deep Basket  
Disposal Flange  
[RVA1049ST]



Deep Basket  
Disposal Flange/Stopper  
[RVA1052ST]



Garbage Disposal  
Flange/Stopper  
[RVA1042ST]

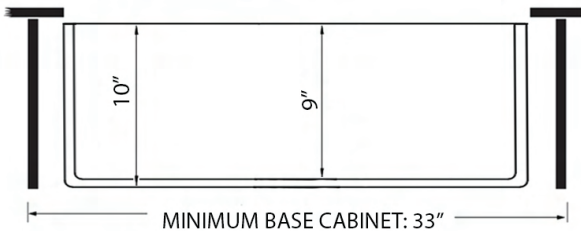
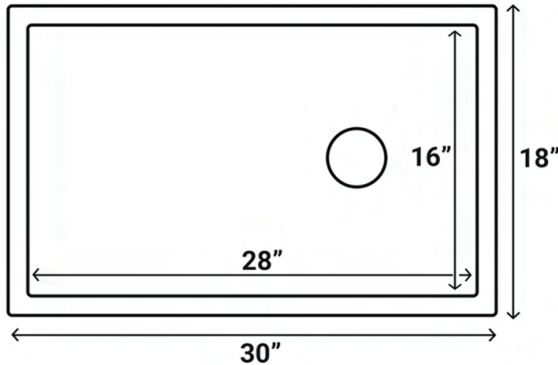


Deep Basket Strainer  
and Stopper  
[RVA1027ST]



Drain Cover  
[RVA1035]

## DIMENSIONS



**SCAN TO REGISTER YOUR WARRANTY**

or visit  
[www.ruvati.com/register](http://www.ruvati.com/register)