

# RVL3030

FIRECLAY DUAL MOUNT SINK

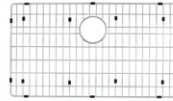
**RUVATI**<sup>®</sup>  
SPECIFICATION SHEET

## MATERIAL

- True Italian Fireclay - Made in ITALY.
- 1-inch thick solid fireclay.
- Fired at 2900F for extreme strength.

## FEATURES

- Large deep bowl.
- Rounded inside corners.
- Glossy enamel surface resistant to stains and scratches.



## COLOR OPTIONS

**BK:** Glossy Black

**LU:** Laguna Blue

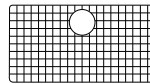
**WH:** White

**YL:** Tuscan Yellow

## IN THE BOX



Basket Strainer  
[RVA1039ST]



Rinse Grid  
[RVA63030]

## NOMINAL DIMENSIONS

Exterior: 30" (wide) x 18" (front-to-back)

Interior Bowl: 27½" (wide) x 15¾" (front-to-back)

Bowl Depth: 9"

Minimum Cabinet Size: 33" wide

Drain Hole Size: 3½"

Installation Type:  
Farmhouse

Inside Corners:  
Rounded

Drain Location:  
Rear Center

**RUVATI USA**  
www.ruvati.com

Phone: 1.855.478.8284  
Email: support@ruvati.com

# OPTIONAL ACCESSORIES (SOLD SEPARATELY)



Deep Basket  
Disposal Flange  
[RVA1049ST]



Deep Basket  
Disposal Flange/Stopper  
[RVA1052ST]



Garbage Disposal  
Flange/Stopper  
[RVA1042ST]

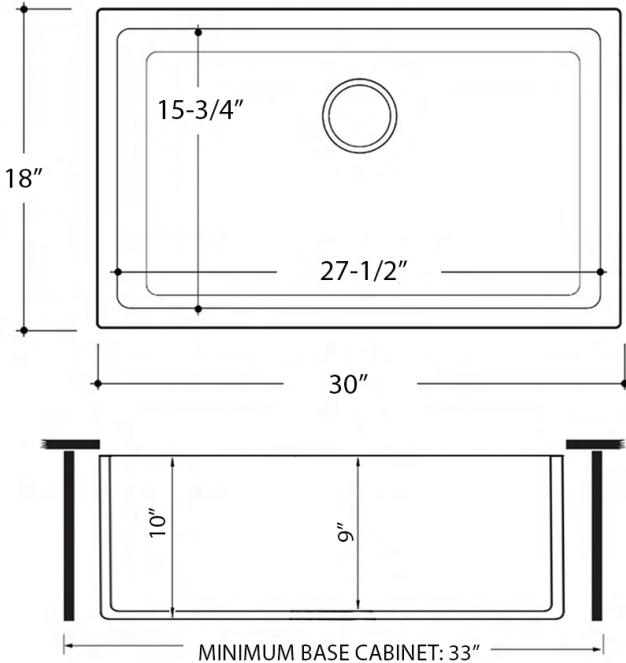


Deep Basket Strainer  
and Stopper  
[RVA1027ST]



Drain Cover  
[RVA1035]

## DIMENSIONS



**SCAN TO REGISTER YOUR WARRANTY**

or visit  
[www.ruvati.com/register](http://www.ruvati.com/register)

**RUVATI USA**  
[www.ruvati.com](http://www.ruvati.com)

Phone: 1.855.478.8284  
Email: [support@ruvati.com](mailto:support@ruvati.com)