

RVH8272

DUAL-MOUNT RV SINK

MATERIAL

- True 16 Gauge Thickness
- Premium T304 Grade Stainless Steel
- Nano-PVD colored finish: easy to clean, and long lasting

FEATURES

- Heavy duty sound guard padding and undercoating
- Slanted bottom with elegant drain grooves for easy draining

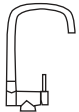


COLOR OPTIONS

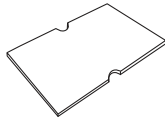
BL: Gunmetal Black

ST: Stainless Steel

IN THE BOX



Faucet
[RVF1172]



Cutting Board
[RVA1272]



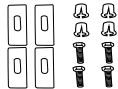
Soap Dispenser
[RVA1072]



Rinse Grid
[RVA68272]



Basket Strainer
[RVA1022BL/ST]



Mounting Clips
[RVA11031]



Cut-out
Template

NOMINAL DIMENSIONS

Exterior: 15" (wide) x 20" (front-to-back)
Interior Bowl: 13" (wide) x 13 $\frac{3}{8}$ " (front-to-back)
Bowl Depth: 10"
Minimum Cabinet Size: 18" wide
Drain Hole Size: 3 $\frac{1}{2}$ "

Installation Type:
Dual mount
Inside Corners:
Rounded
Drain Location:
Center

OPTIONAL ACCESSORIES (SOLD SEPARATELY)



Deep Basket
Disposal Flange
[RVA1049BL/ST]



Deep Basket
Disposal Flange/Stopper
[RVA1052BL/ST]



Garbage Disposal
Flange/Stopper
[RVA1042BL/ST]

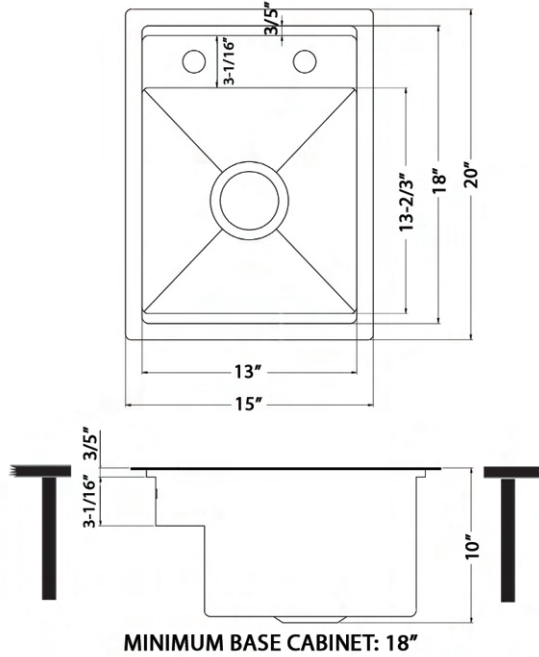


Deep Basket Strainer
and Stopper
[RVA1027BL/ST]



Drain Cover
[RVA1035]

DIMENSIONS



cUPC certified by IAPMO
to meet US and Canada
plumbing standards.



**SCAN TO REGISTER
YOUR WARRANTY**

or visit
ruvati.com/register

RUVATI USA
www.ruvati.com

Phone: 1.855.478.8284
Email: support@ruvati.com