

RVH8218

TOPMOUNT WORKSTATION SINK

RUVATI[®]
SPECIFICATION SHEET

MATERIAL

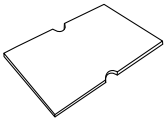
True 16 Gauge Thickness
Premium T304 Grade Stainless Steel
18/10 Chromium/Nickel Content
Commercial Brushed Finish

FEATURES

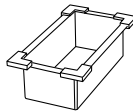
- Heavy duty sound guard padding and undercoating
- Slanted bottom with elegant drain grooves for easy draining
- Single-Tier Ledge for Accessories



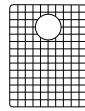
IN THE BOX



Cutting Board
[RVA1228]



Colander
[RVA1310]



Rinse Grid
[RVA68218]



Basket Strainer
[RVA1025]



Mounting Clips
[RVA11042]



Cut-out
Template

NOMINAL DIMENSIONS

Exterior: 18" (wide) x 20" (front-to-back)
Interior Bowl: 16" (wide) x 14 $\frac{5}{8}$ " (front-to-back)
Bowl Depth: 10"
Minimum Cabinet Size: 21" wide
Drain Hole Size: 3 $\frac{1}{2}$ "

Installation Type:

Topmount

Inside Corners:

Sharp

Drain Location:

Rear Center

RUVATI USA

www.ruvati.com

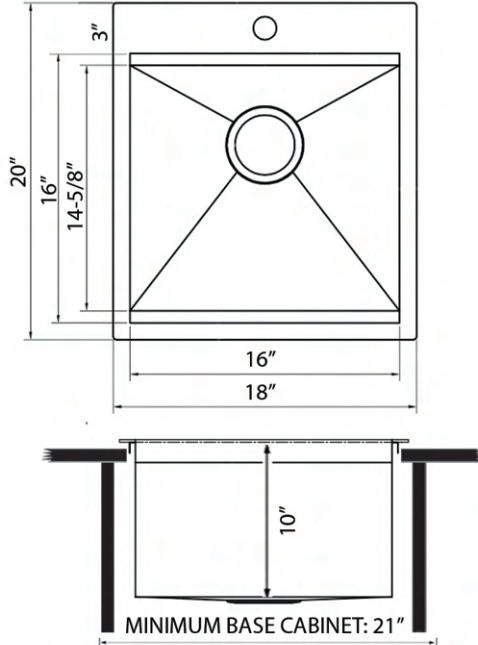
Phone: 1.855.478.8284
Email: support@ruvati.com

OPTIONAL ACCESSORIES (SOLD SEPARATELY)



Drain Cover [RVA1035]

DIMENSIONS



cUPC certified by IAPMO to meet US and Canada plumbing standards.



SCAN TO REGISTER YOUR WARRANTY

or visit ruvati.com/register

RUVATI USA
www.ruvati.com

Phone: 1.855.478.8284
Email: support@ruvati.com