

RVH8210

TOPMOUNT WORKSTATION SINK

RUVATI[®]
SPECIFICATION SHEET

MATERIAL

- True 16 Gauge Thickness
- Premium T304 Grade Stainless Steel
- Nano-PVD colored finish: easy to clean and long lasting

FEATURES

- Heavy duty sound guard padding and undercoating
- Slanted bottom with elegant drain grooves for easy draining
- Single-Tier Ledge for Accessories

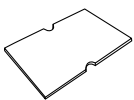


COLOR OPTIONS

BL: Gunmetal Black

GG: Matte Gold

IN THE BOX



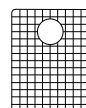
Cutting Board
[RVA1210]



Basket Strainer
[RVA1022BL/GG]



Mounting Clips
[RVA11048]



Rinse Grid
[RVA68210]



Cut-out
Template

NOMINAL DIMENSIONS

Exterior: 15" (wide) x 20" (front-to-back)

Interior Bowl: 13" (wide) x 14½" (front-to-back)

Bowl Depth: 9"

Minimum Cabinet Size: 18" wide

Drain Hole Size: 3½"

Installation Type:

Topmount

Inside Corners:

Rounded

Drain Location:

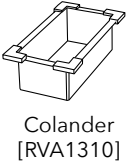
Rear Center

RUVATI USA

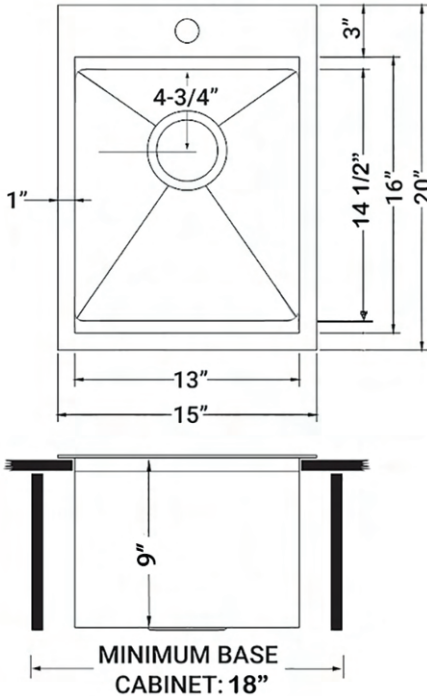
www.ruvati.com

Phone: 1.855.478.8284
Email: support@ruvati.com

OPTIONAL ACCESSORIES (SOLD SEPARATELY)



DIMENSIONS



cUPC certified by IAPMO to meet US and Canada plumbing standards.



SCAN TO REGISTER YOUR WARRANTY

or visit ruvati.com/register

RUVATI USA
www.ruvati.com

Phone: 1.855.478.8284
Email: support@ruvati.com