

# RVH8205

TOPMOUNT WORKSTATION SINK

**RUVATI**<sup>®</sup>  
SPECIFICATION SHEET

## MATERIAL

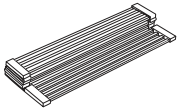
True 16 Gauge Thickness  
Premium T304 Grade Stainless Steel  
18/10 Chromium/Nickel Content  
Commercial Brushed Finish

## FEATURES

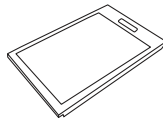
- Heavy duty sound guard padding and undercoating
- Slanted bottom with elegant drain grooves for easy draining
- Single-Tier Ledge for Accessories



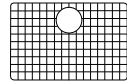
## IN THE BOX



Folding Rack  
[RVA1391]



Cutting Board  
[RVA1211]



Rinse Grid  
[RVA68205]



Basket Strainer  
[RVA1025]



Mounting Clips  
[RVA11042]



Cut-out  
Template

## NOMINAL DIMENSIONS

**Exterior:** 25" (wide) x 20" (front-to-back)  
**Interior Bowl:** 23" (wide) x 14 $\frac{5}{8}$ " (front-to-back)  
**Bowl Depth:** 9"  
**Minimum Cabinet Size:** 27" wide  
**Drain Hole Size:** 3 $\frac{1}{2}$ "

**Installation Type:**  
Topmount  
**Inside Corners:**  
Sharp  
**Drain Location:**  
Rear Center

**RUVATI USA**

www.ruvati.com

Phone: 1.855.478.8284  
Email: support@ruvati.com

# OPTIONAL ACCESSORIES (SOLD SEPARATELY)



Deep Basket  
Disposal Flange  
[RVA1049ST]



Deep Basket  
Disposal Flange/Stopper  
[RVA1052ST]



Garbage Disposal  
Flange/Stopper  
[RVA1042ST]

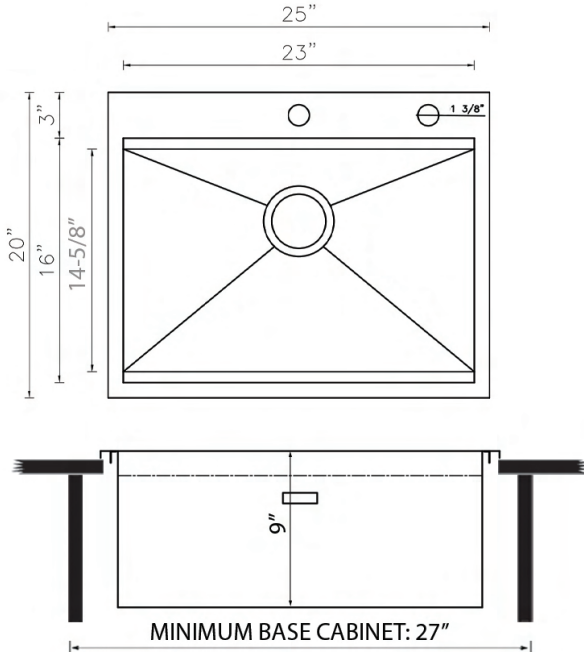


Deep Basket Strainer  
and Stopper  
[RVA1027ST]



Drain Cover  
[RVA1035]

## DIMENSIONS



cUPC certified by IAPMO  
to meet US and Canada  
plumbing standards.



**SCAN TO REGISTER  
YOUR WARRANTY**

or visit  
[ruvati.com/register](http://ruvati.com/register)

**RUVATI USA**  
[www.ruvati.com](http://www.ruvati.com)

Phone: 1.855.478.8284  
Email: [support@ruvati.com](mailto:support@ruvati.com)