

# RVH8110

TOPMOUNT BAR SINK

## MATERIAL

- True 16 Gauge Thickness
- Premium T304 Grade Stainless Steel
- 18/10 Chromium/Nickel Content
- Commercial Brushed Finish

## FEATURES

- Heavy duty sound guard padding and undercoating
- Slanted bottom with elegant drain grooves for easy draining
- Small size sink for wet bar



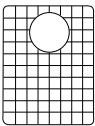
## IN THE BOX



Basket Strainer  
[RVA1025]



Mounting Clips  
[RVA11042]



Rinse Grid  
[RVA68110]



Cut-out  
Template

## NOMINAL DIMENSIONS

- Exterior:** 15" (wide) x 20" (front-to-back)
- Interior Bowl:** 13" (wide) x 16" (front-to-back)
- Bowl Depth:** 10"
- Minimum Cabinet Size:** 18" wide
- Drain Hole Size:** 3½"

- Installation Type:** Topmount
- Inside Corners:** Zero Radius
- Drain Location:** Rear Center

# OPTIONAL ACCESSORIES (SOLD SEPARATELY)



Deep Basket  
Disposal Flange  
[RVA1049ST]



Deep Basket  
Disposal Flange/Stopper  
[RVA1052ST]



Garbage Disposal  
Flange/Stopper  
[RVA1042ST]

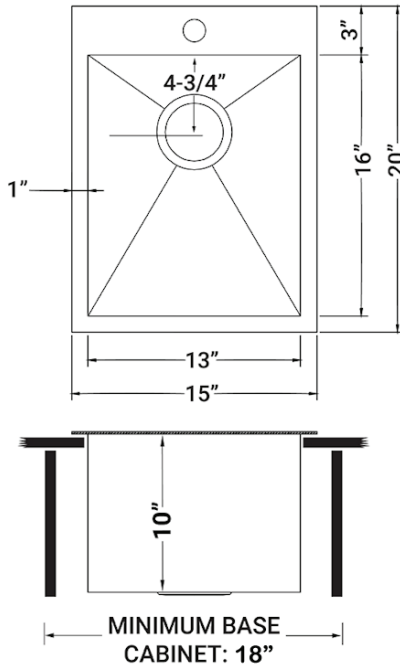


Deep Basket Strainer  
and Stopper  
[RVA1027ST]



Drain Cover  
[RVA1035]

## DIMENSIONS



cUPC certified by IAPMO  
to meet US and Canada  
plumbing standards.



**SCAN TO REGISTER  
YOUR WARRANTY**

or visit  
[ruvati.com/register](http://ruvati.com/register)

# RUVATI USA

[www.ruvati.com](http://www.ruvati.com)

Phone: 1.855.478.8284  
Email: [support@ruvati.com](mailto:support@ruvati.com)