

# RVH8009

TOPMOUNT KITCHEN SINK

**RUVATI**<sup>®</sup>  
SPECIFICATION SHEET

## MATERIAL

True 16 Gauge Thickness  
Premium T304 Grade Stainless Steel  
18/10 Chromium/Nickel Content  
Commercial Brushed Finish

## FEATURES

- Heavy duty sound guard padding and undercoating
- Slanted bottom with elegant drain grooves for easy draining
- Rounded inside corners



## IN THE BOX



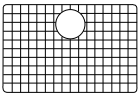
Basket Strainer  
[RVA1025]



Mounting Clips  
[RVA11042]



Drain Cover  
[RVA1035]



Rinse Grid  
[RVA68009]



Cut-out  
Template

## NOMINAL DIMENSIONS

**Exterior:** 30" (wide) x 22" (front-to-back)  
**Interior Bowl:** 28" (wide) x 18" (front-to-back)  
**Bowl Depth:** 10"  
**Minimum Cabinet Size:** 33" wide  
**Drain Hole Size:** 3½"

### Installation Type:

Topmount

### Inside Corners:

Rounded

### Drain Location:

Rear Center

**RUVATI USA**  
www.ruvati.com

Phone: 1.855.478.8284  
Email: support@ruvati.com

# OPTIONAL ACCESSORIES (SOLD SEPARATELY)



Deep Basket  
Disposal Flange  
[RVA1049ST]



Deep Basket  
Disposal Flange/Stopper  
[RVA1052ST]

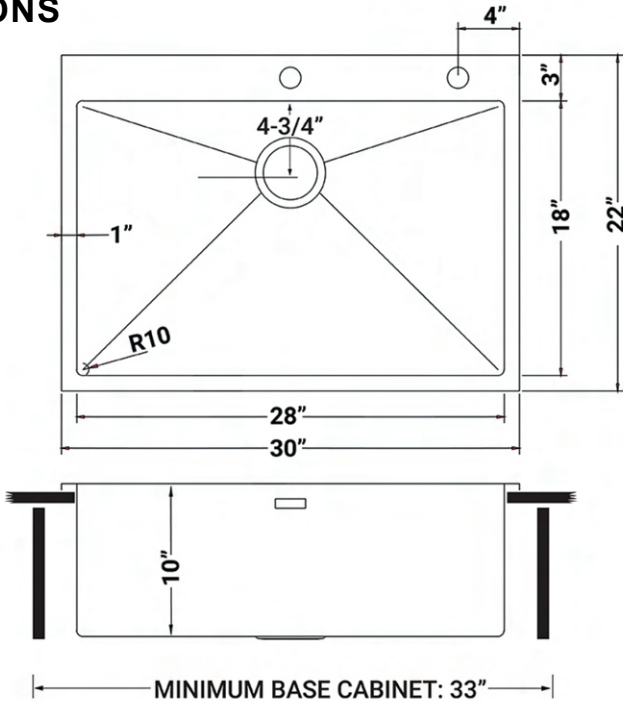


Garbage Disposal  
Flange/Stopper  
[RVA1042ST]



Deep Basket Strainer  
and Stopper  
[RVA1027ST]

## DIMENSIONS



cUPC certified by IAPMO  
to meet US and Canada  
plumbing standards.



**SCAN TO REGISTER  
YOUR WARRANTY**

or visit  
[ruvati.com/register](http://ruvati.com/register)

**RUVATI USA**  
[www.ruvati.com](http://www.ruvati.com)

Phone: 1.855.478.8284  
Email: [support@ruvati.com](mailto:support@ruvati.com)