

# RVH8000

TOPMOUNT KITCHEN SINK

# RUVATI®

SPECIFICATION SHEET

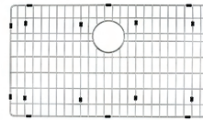
## MATERIAL

True 16 Gauge Thickness  
Premium T304 Grade Stainless Steel  
18/10 Chromium/Nickel Content  
Commercial Brushed Finish



## FEATURES

- Heavy duty sound guard padding and undercoating
- Slanted bottom with elegant drain grooves for easy draining
- Zero radius inside corners



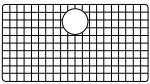
## IN THE BOX



Basket Strainer  
[RVA1025]



Mounting Clips  
[RVA11042]



Rinse Grid  
[RVA68005]



Cut-out  
Template

## NOMINAL DIMENSIONS

**Exterior:** 33" (wide) x 22" (front-to-back)  
**Interior Bowl:** 31" (wide) x 18" (front-to-back)  
**Bowl Depth:** 10"  
**Minimum Cabinet Size:** 36" wide  
**Drain Hole Size:** 3½"

## Installation Type:

Topmount

## Inside Corners:

Zero Radius

## Drain Location:

Rear Center

# RUVATI USA

www.ruvati.com

Phone: 1.855.478.8284  
Email: support@ruvati.com

# OPTIONAL ACCESSORIES (SOLD SEPARATELY)



Deep Basket  
Disposal Flange  
[RVA1049ST]



Deep Basket  
Disposal Flange/Stopper  
[RVA1052ST]



Garbage Disposal  
Flange/Stopper  
[RVA1042ST]

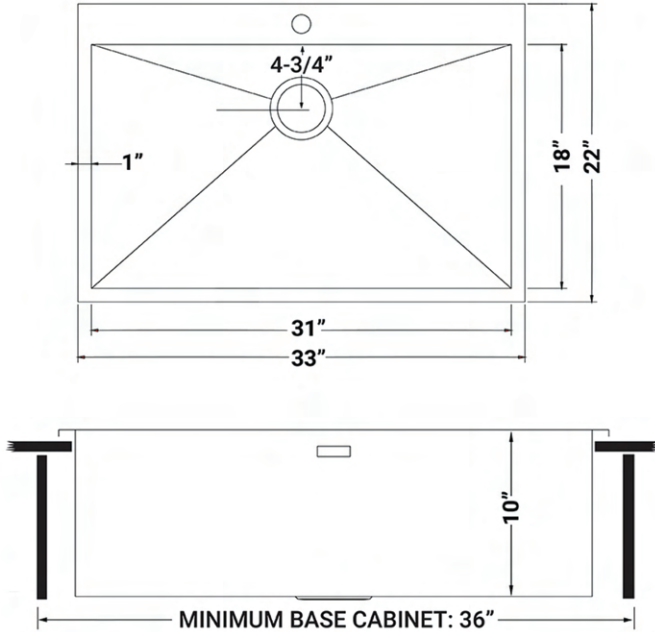


Deep Basket Strainer  
and Stopper  
[RVA1027ST]



Drain Cover  
[RVA1035]

## DIMENSIONS



cUPC certified by IAPMO  
to meet US and Canada  
plumbing standards.



**SCAN TO REGISTER  
YOUR WARRANTY**

or visit  
[ruvati.com/register](http://ruvati.com/register)

# RUVATI USA

[www.ruvati.com](http://www.ruvati.com)

Phone: 1.855.478.8284  
Email: [support@ruvati.com](mailto:support@ruvati.com)