

# RVH7112

UNDERMOUNT BAR SINK

**RUVATI**<sup>®</sup>  
SPECIFICATION SHEET

## MATERIAL

True 16 Gauge Thickness  
Premium T304 Grade Stainless Steel  
18/10 Chromium/Nickel Content  
Commercial Brushed Finish

## FEATURES

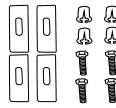
- Heavy duty sound guard padding and undercoating
- Slanted bottom with elegant drain grooves for easy draining
- Rounded inside corners



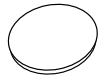
## IN THE BOX



Basket Strainer  
[RVA1025]



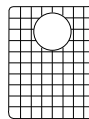
Mounting Clips  
[RVA11031]



Drain Cover  
[RVA1035]



Cut-out  
Template



Rinse Grid  
[RVA67112]

## NOMINAL DIMENSIONS

Exterior: 12" (wide) x 18" (front-to-back)  
Interior Bowl: 10" (wide) x 16" (front-to-back)  
Bowl Depth: 8"  
Minimum Cabinet Size: 15" wide  
Drain Hole Size: 3½"

**Installation Type:**  
Undermount

**Inside Corners:**  
Rounded

**Drain Location:**  
Rear Center

**RUVATI USA**  
www.ruvati.com

Phone: 1.855.478.8284  
Email: support@ruvati.com

## OPTIONAL ACCESSORIES (SOLD SEPARATELY)



Deep Basket  
Disposal Flange  
[RVA1049ST]



Deep Basket  
Disposal Flange/Stopper  
[RVA1052ST]

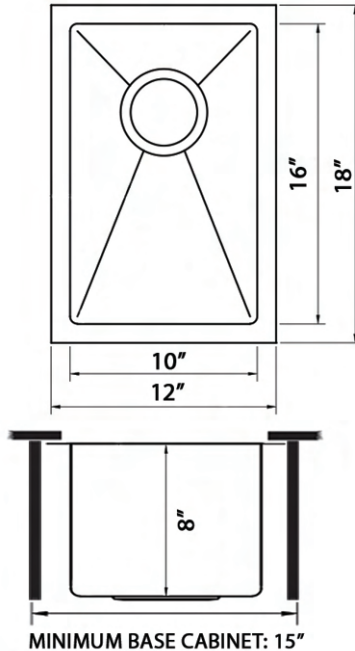


Garbage Disposal  
Flange/Stopper  
[RVA1042ST]



Deep Basket Strainer  
and Stopper  
[RVA1027ST]

## DIMENSIONS



cUPC certified by IAPMO  
to meet US and Canada  
plumbing standards.



**SCAN TO REGISTER  
YOUR WARRANTY**

or visit  
[ruvati.com/register](http://ruvati.com/register)

**RUVATI USA**  
[www.ruvati.com](http://www.ruvati.com)

Phone: 1.855.478.8284  
Email: [support@ruvati.com](mailto:support@ruvati.com)