

RVH7015

UNDERMOUNT BAR SINK

RUVATI®

SPECIFICATION SHEET

MATERIAL

- True 16 Gauge Thickness
- Premium T304 Grade Stainless Steel
- Nano-PVD colored finish: easy to clean, and long lasting

FEATURES

- Heavy duty sound guard padding and undercoating
- Slanted bottom with elegant drain grooves for easy draining
- Rounded inside corners



COLOR OPTIONS

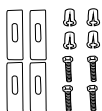
BL: Black Stainless Steel

GG: Matte Gold Brass Tone

IN THE BOX



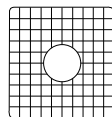
Basket Strainer
[RVA1022BL/GG]



Mounting Clips
[RVA11031]



Cut-out
Template



Rinse Grid
[RVA67115]

NOMINAL DIMENSIONS

Exterior: 15" (wide) x 15" (front-to-back)
Interior Bowl: 13" (wide) x 13" (front-to-back)
Bowl Depth: 8"
Minimum Cabinet Size: 18" wide
Drain Hole Size: 3½"

Installation Type:
Undermount

Inside Corners:
Rounded

Drain Location:
Center

RUVATI USA

www.ruvati.com

Phone: 1.855.478.8284
Email: support@ruvati.com

OPTIONAL ACCESSORIES (SOLD SEPARATELY)



Deep Basket
Disposal Flange
[RVA1049BL/GG]



Deep Basket
Disposal Flange/Stopper
[RVA1052BL/GG]

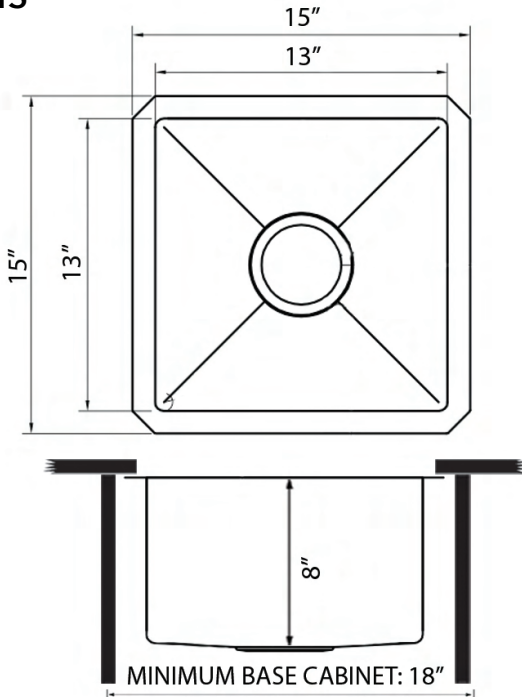


Garbage Disposal
Flange/Stopper
[RVA1042BL/GG]



Deep Basket Strainer
and Stopper
[RVA1027BL/GG]

DIMENSIONS



cUPC certified by IAPMO
to meet US and Canada
plumbing standards.



**SCAN TO REGISTER
YOUR WARRANTY**

or visit
ruvati.com/register

RUVATI USA
www.ruvati.com

Phone: 1.855.478.8284
Email: support@ruvati.com