

RVH6140

UNDERMOUNT RAMP BATHROOM SINK

RUVATI[®]
SPECIFICATION SHEET

MATERIAL

- True 16 Gauge Thickness
- Premium T304 Grade Stainless Steel
- 18/10 Chromium/Nickel Content

FEATURES

- Heavy duty sound guard padding and undercoating
- D-shaped curved bowl for perfect water drainage
- Push pop-up drain included



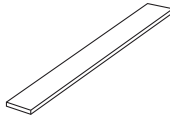
COLOR OPTIONS

- RVH6140ST: Brushed Stainless Steel
- RVH6140BL: Gunmetal Black Stainless Steel

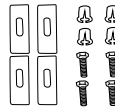
IN THE BOX



Pop-up Drain
[RVA5103ST/BL/GG]



Drain Covers
[RVA11061ST/BL/GG]



Mounting Clips
[RVA11031]



Cut-out
Template

NOMINAL DIMENSIONS

Exterior: 20" (wide) x 14" (front-to-back)
Interior Bowl: 18" (wide) x 12" (front-to-back)
Bowl Depth: 6"
Minimum Cabinet Size: 22" wide
Drain Hole Size: 1-3/4"

Installation Type:

Undermount

Drain Location:

Rear Center

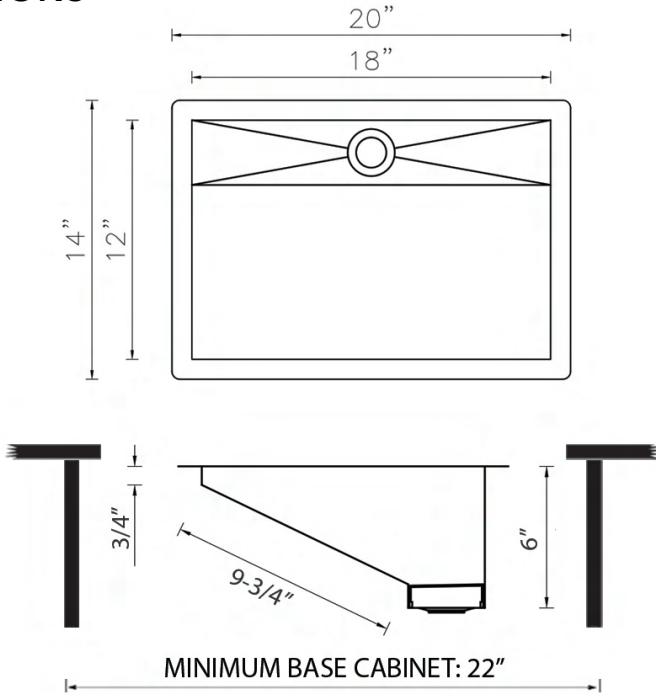
RUVATI USA

www.ruvati.com

Phone: 1.855.478.8284
Email: support@ruvati.com

OPTIONAL ACCESSORIES (SOLD SEPARATELY)

DIMENSIONS



cUPC certified by IAPMO to meet US and Canada plumbing standards.



SCAN TO REGISTER YOUR WARRANTY

or visit ruvati.com/register