

# RVG1620

GRANITE TOPMOUNT BAR SINK

**RUVATI**<sup>®</sup>  
SPECIFICATION SHEET

## MATERIAL

- Solid Granite Composite
- 80% crushed natural granite for extreme strength
- Non-porous and resistant to stains

## FEATURES

- Naturally sound proof
- Will never discolor
- Rounded inside corners

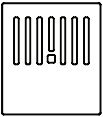


## COLOR OPTIONS

**BK:** Midnight Black

**WH:** Arctic White

## IN THE BOX



Cutting Board  
[RVA1226BK/GR]



Cut-out  
Template



Basket Strainer  
[RVA1038BL/WH]



Mounting Clips  
[RVA11052]

## NOMINAL DIMENSIONS

Exterior: 20" (wide) x 20" (front-to-back)  
Interior Bowl: 17-5/8" (wide) x 15-1/4" (front-to-back)  
Bowl Depth: 7-7/8"  
Minimum Cabinet Size: 23" wide  
Drain Hole Size: 3 1/2"

Installation Type:  
Topmount

Inside Corners:  
Rounded

Drain Location:  
Rear Center

**RUVATI USA**

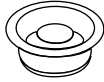
www.ruvati.com

Phone: 1.855.478.8284  
Email: support@ruvati.com

# OPTIONAL ACCESSORIES (SOLD SEPARATELY)



Deep Basket  
Disposal Flange  
[RVA1049BL /GG]



Garbage  
Disposal Flange  
[RVA1041BL /GG]

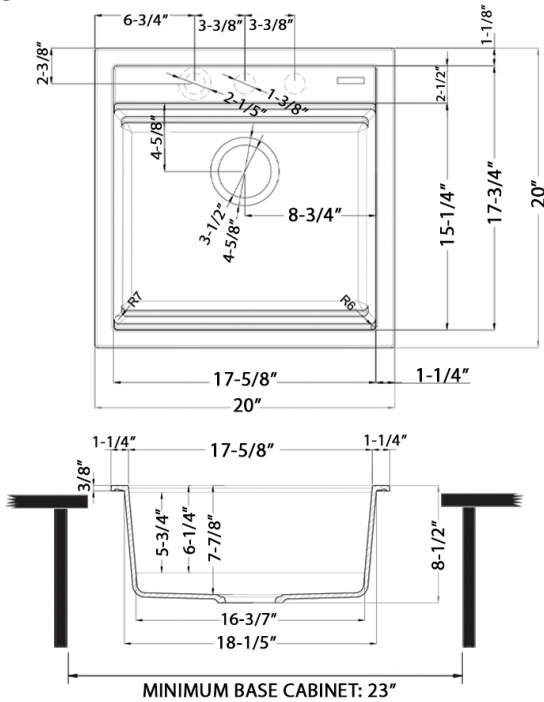


Deep Basket Strainer  
and Stopper  
[RVA1027BL /GG]



Deep Basket  
Disposal Flange/Stopper  
[RVA1052BL /GG]

## DIMENSIONS



cUPC certified by IAPMO  
to meet US and Canada  
plumbing standards.



**SCAN TO REGISTER  
YOUR WARRANTY**

or visit  
[ruvati.com/register](http://ruvati.com/register)

**RUVATI USA**  
[www.ruvati.com](http://www.ruvati.com)

Phone: 1.855.478.8284  
Email: [support@ruvati.com](mailto:support@ruvati.com)