

# RVB2819

## BATHROOM VESSEL SINK

**RUVATI**<sup>®</sup>  
SPECIFICATION SHEET

### MATERIAL

- **EPISTONE:** High-quality innovative composite material that produces a hard surface and requires little maintenance.

### FEATURES

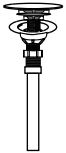
- **SATIN MATTE POWDER FINISH:** Natural beauty similar to stone and silky to the touch.
- **OVAL SHAPE:** For maximum comfort and easy cleaning.



### COLOR OPTIONS

**WH:** Matte White

### IN THE BOX



Popup Drain  
[RVA5104WH]

#### NOMINAL DIMENSIONS

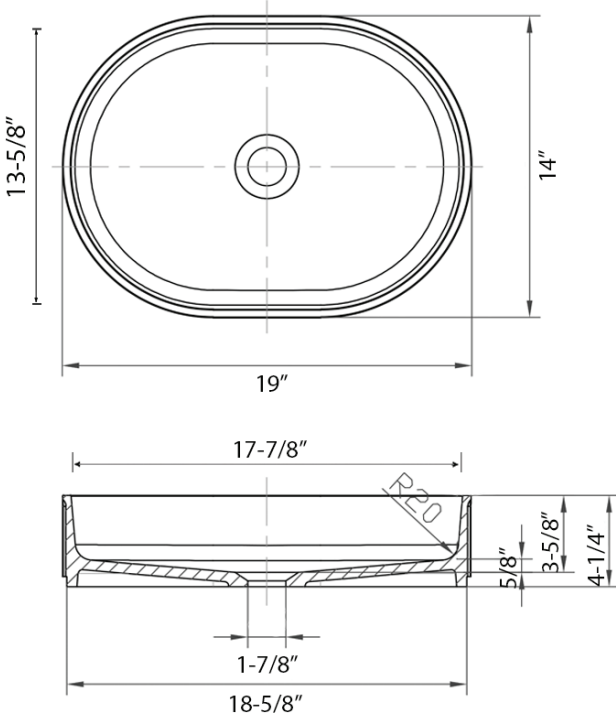
Exterior: 19" (wide) x 14" (front-to-back)  
Interior Bowl: 17 $\frac{7}{8}$ " (wide) x 13 $\frac{5}{8}$ " (front-to-back)  
Bowl Depth: 3 $\frac{5}{8}$ "  
Minimum Cabinet Size: N/A  
Drain Hole Size: 1 $\frac{7}{8}$ "

Installation Type:  
Vessel  
Drain Location:  
Center

**RUVATI USA**  
www.ruvati.com

Phone: 1.855.478.8284  
Email: support@ruvati.com

# DIMENSIONS



**SCAN TO REGISTER YOUR WARRANTY**

or visit  
[www.ruvati.com/register](http://www.ruvati.com/register)

**RUVATI USA**  
[www.ruvati.com](http://www.ruvati.com)

Phone: 1.855.478.8284  
Email: [support@ruvati.com](mailto:support@ruvati.com)