

RVB2119

BATHROOM VESSEL SINK

RUVATI®

SPECIFICATION SHEET

MATERIAL

- **EPISTONE:** High-quality innovative composite material that produces a hard surface and requires little maintenance.

FEATURES

- **SATIN MATTE POWDER FINISH:** Natural beauty similar to stone and silky to the touch.
- **OVAL SHAPE:** For maximum comfort and easy cleaning.



COLOR OPTIONS

BK: Black

LE: Pacific Blue

WH: White

GN: Avocado Lime Green

TL: Sedona Clay

IN THE BOX



Popup Drain

[RVA5104WH/BK/GN/LE/TL]

NOMINAL DIMENSIONS

Exterior: 18 $\frac{7}{8}$ " (wide) x 14 $\frac{5}{8}$ " (front-to-back)

Interior Bowl: 18 $\frac{1}{4}$ " (wide) x 13 $\frac{1}{16}$ " (front-to-back)

Bowl Depth: 4 $\frac{1}{8}$ "

Minimum Cabinet Size: N/A

Drain Hole Size: 1 $\frac{7}{8}$ "

Installation Type:

Vessel

Drain Location:

Center

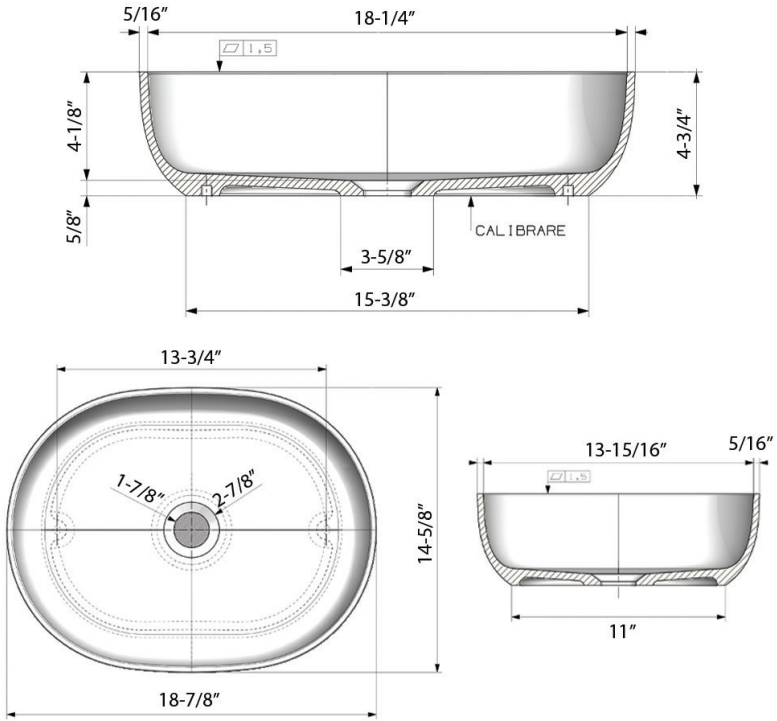
RUVATI USA

www.ruvati.com

Phone: 1.855.478.8284

Email: support@ruvati.com

DIMENSIONS



SCAN TO REGISTER YOUR WARRANTY

or visit
www.ruvati.com/register

RUVATI USA
www.ruvati.com

Phone: 1.855.478.8284
Email: support@ruvati.com