

RVB2016

BATHROOM VESSEL SINK

RUVATI®

SPECIFICATION SHEET

MATERIAL

- **PORCELAIN CERAMIC:**
Thick solid construction for extreme durability.

FEATURES

- **SMOOTH, GLAZED SURFACE:**
Non-porous and resistant to scratching, chipping, or crazing.
- **CURVED BOWL SHAPE:**
Ensures perfect water drainage and makes it easy to clean.



COLOR OPTIONS

BS: Silver / Black

WR: Rose Gold / White

WG: Gold / White

WS: Silver / White

IN THE BOX



Installation
Guide



Popup Drain
[RVA5102WH/CH]

NOMINAL DIMENSIONS

Exterior: 19 $\frac{3}{4}$ " (wide) x 15 $\frac{3}{4}$ " (front-to-back)

Interior Bowl: 18 $\frac{3}{4}$ " (wide) x 14 $\frac{3}{4}$ " (front-to-back)

Bowl Depth: 4 $\frac{1}{2}$ "

Minimum Cabinet Size: N/A

Drain Hole Size: 1 $\frac{3}{4}$ "

Installation Type:

Vessel

Drain Location:

Center

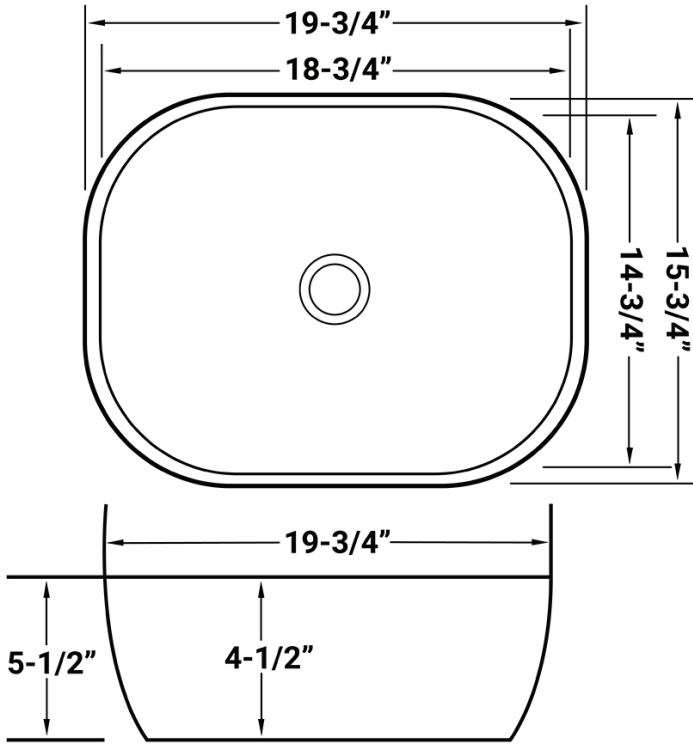
RUVATI USA

www.ruvati.com

Phone: 1.855.478.8284

Email: support@ruvati.com

DIMENSIONS



SCAN TO REGISTER YOUR WARRANTY

or visit
www.ruvati.com/register

RUVATI USA
www.ruvati.com

Phone: 1.855.478.8284
Email: support@ruvati.com