








ATTENTION INSTALLER

- Read all instructions carefully before installation. Inspect the item and make sure you have all the parts shown in the parts list below.
- If any part is missing or damaged, please contact Ruvati Support at 1-855-478-8284 or www.ruvati.com.

INCLUDED	NOT INCLUDED (comes with your garbage disposal unit)
Flange 	 ← Black Rubber Splash Guard
Stopper 	 ← Triangle Ring  ← Mounting Ring  ← Screws  ← Snap Ring

Register your product at: www.ruvati.com/register-product

RUVATI®

Address: 2705 Meister Pl, Round Rock, TX 78664

USA Phone: 1.855.478.8284

Email: info@ruvati.com

RUVATI®

INSTALLATION GUIDE

GARBAGE DISPOSAL FLANGE AND STOPPER

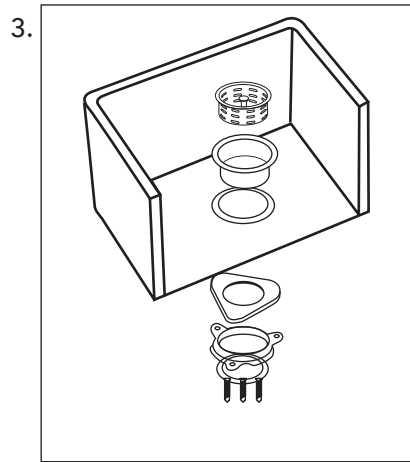
RVA1041



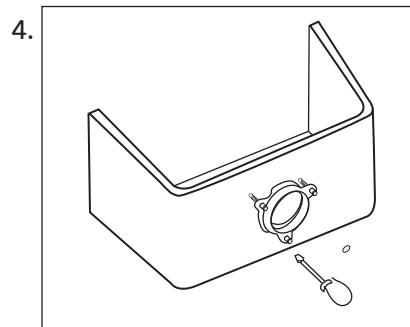
1. Apply a rope of plumbers putty around the underside of the sink flange. Insert the Flange into the drain opening of the sink.

2. Place the Triangle Support Ring (not included), and the Mounting Ring (not included) from below the sink.

3. Attach the Snap Ring (not included) on to the flange. It should snap into the lower groove near the bottom of the flange.



4. Screw in the 3 screws (not included) into the Mounting Ring. Fully tighten all 3 screws. The flange is now secured to the sink.



5. Install the Black Rubber Splash Guard (not included) onto the opening of the disposal unit, then securely attach the disposal to the mounting ring following the manufacturer's instructions. Your disposal is now ready for use.

